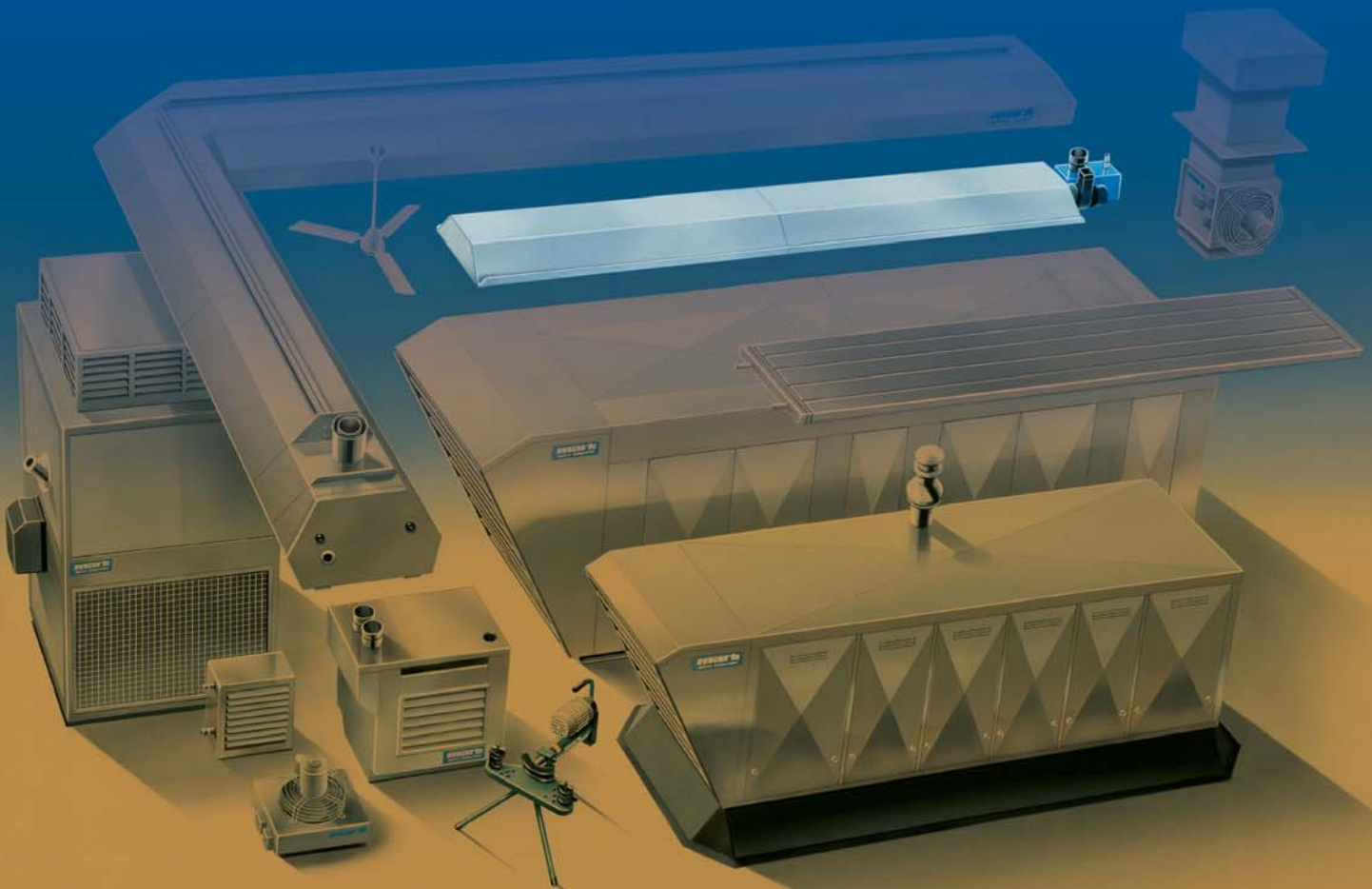
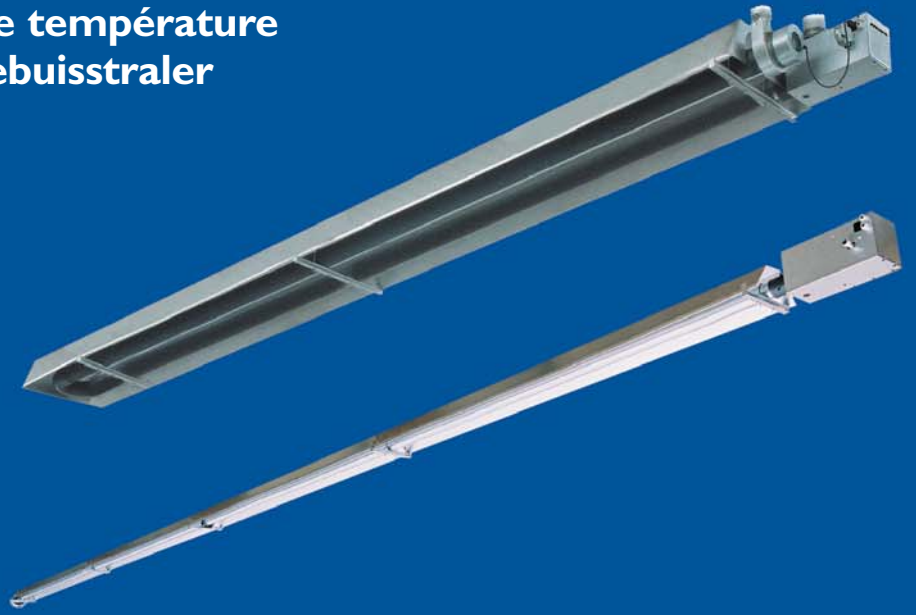


Mark INFRA / INFRA MONO **mark**[®]

- Ⓜ GB Gasfired radiant tube heater
- Ⓜ DE Gasbefeuerte Dunkelstrahler
- Ⓜ FR Tube rayonnant basse température
- Ⓜ NL Gasgestookte zwartebuisstraler





MARK INFRA

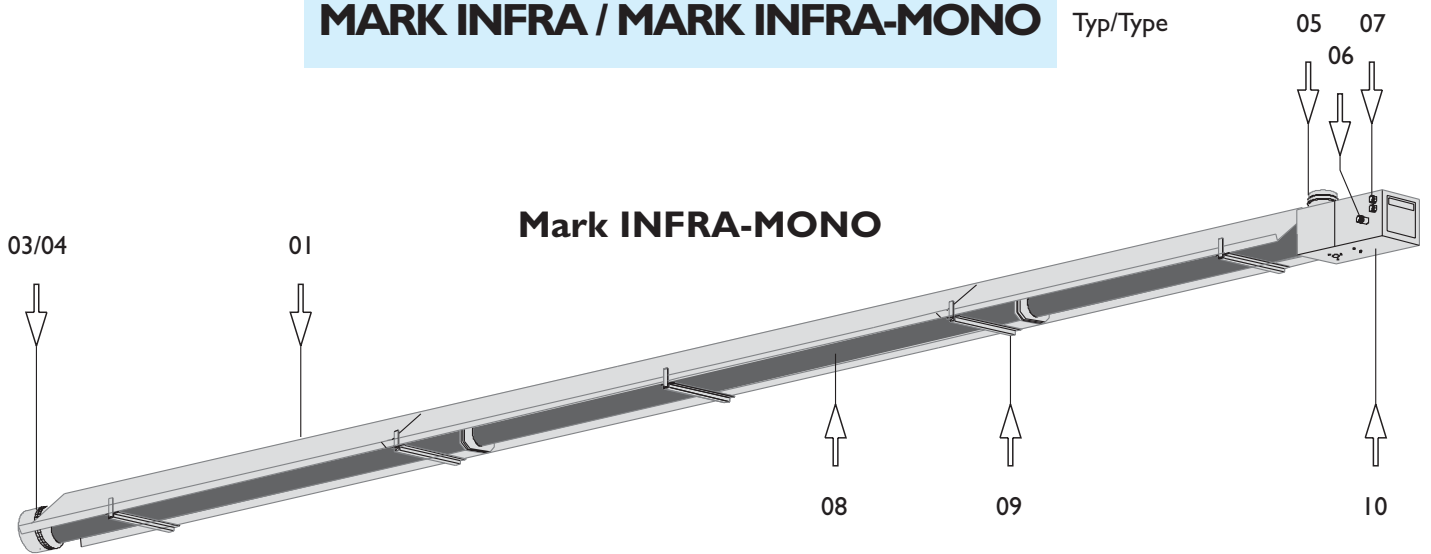
- (GB) GASFIRED RADIANT TUBE HEATER,
ENERGIE SAVING,
RELIABLE, GOOD VALUE, LONG LIFE.
- (DE) GASBEFEUERTE DUNKEL STRAHLER,
ENERGIE FREUNDLICH,
ZUVERLÄSSIG, PREISGÜNSTIG,
LANGE LEBENSDAUER.
- (FR) PANNEAU RADIANT AU GAZ,
ECONOMIES D'ÉNERGIE,
FIABLE, ECONOMIQUE,
GRANDE LONGÉVITÉ.
- (NL) GASGESTOOKTE ZWARTEBUISSTRALER,
ENERGIE BESPAREND,
BETROUWBAAR, BETAALBAAR,
LANGE LEVENSDUUR.

| GB | DE | FR | NL |
|---|--|--|---|
| Standard equipment | Standard Ausführung | Équipement standard | Standaard uitrusting |
| CE approved PIN: 0063AR3348 ISO 9001 Efficiency ≥ 90% Electronic ignition Aluzinc finish | CE geprüft PIN: 0063AR3348 ISO 9001 Wirkungsgrad ≥ 90% Elektronische Zündung Alu-Zinkblech Gehäuse | Attestation CE PIN: 0063AR3348 ISO 9001 Rendement ≥ 90% Allumage électronique Habillage en Alu-zinque | CE gekeurd PIN: 0063AR3348 ISO 9001 Rendement ≥ 90% Elektronische ontsteking Aluzinc coating |
| Accessories: High/Low burner Ball protection grill* Flexible hose Wall mounting brackets | Zubehör: Brenner Zweistufig Ballenschutzgitter* Flexible Schlauch Satz Aufhängekonsolen für Wandmontage | Accessoires: Bruleur deux allures Transformateur d'isolement Grillage de protection* Tuyau flexible Consoles pour montage murale | Accessoires: Brandregeling Hoog/Laag Scheidingstransformator Balbeschermrooster* Flexibele gaslang Ophangconsole voor wandmontage |

* Not for Mark Infra-Mono / Nicht für Mark Infra-Mono / Pas pour Mark Infra-Mono / Niet voor Mark Infra-Mono

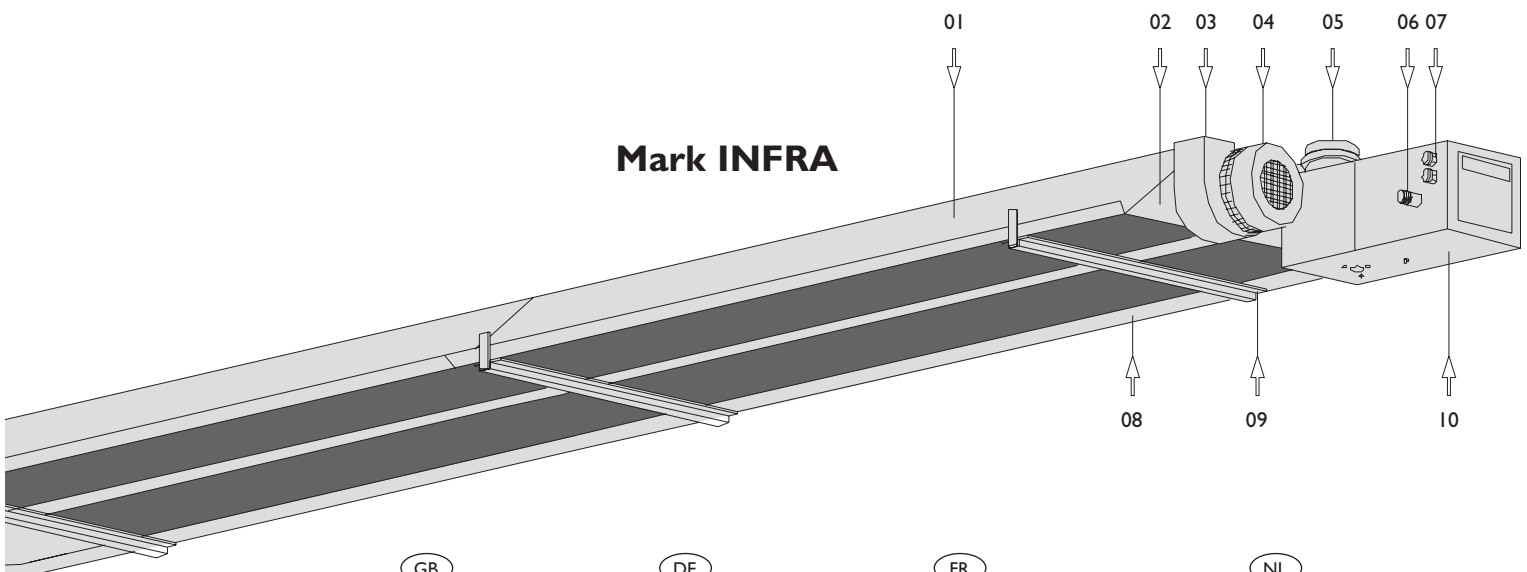
MARK INFRA / MARK INFRA-MONO

Typ/Type

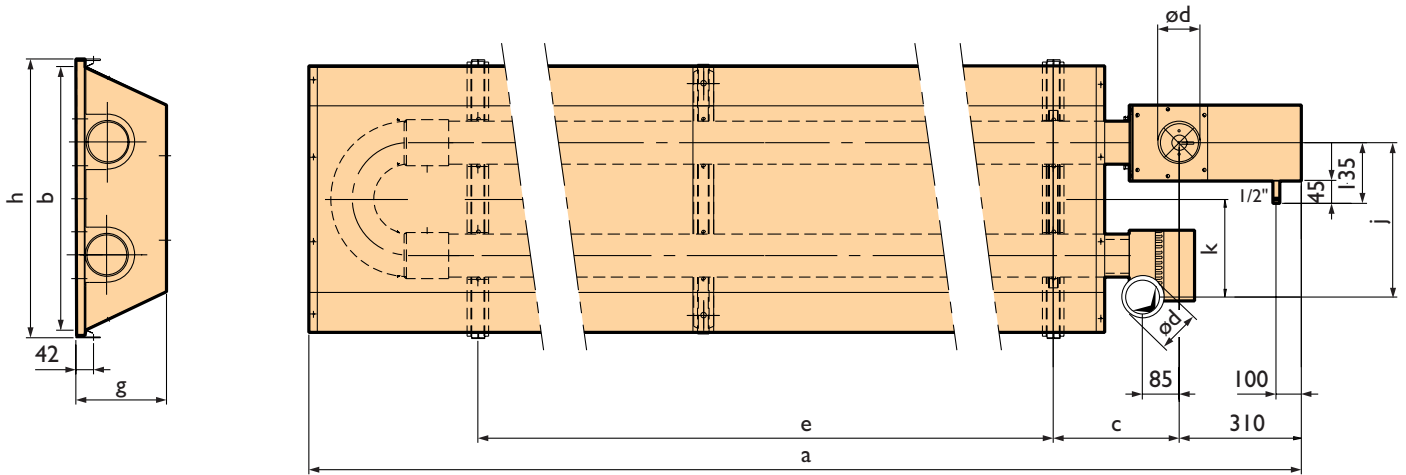


Mark INFRA-MONO

Mark INFRA



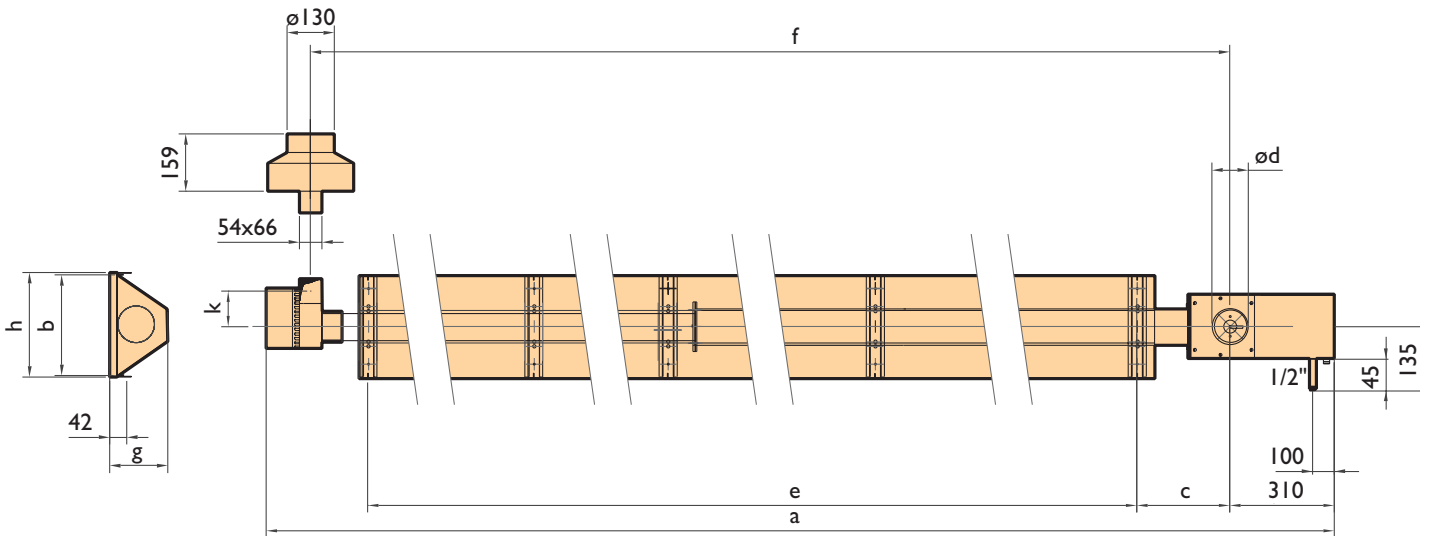
| GB | DE | FR | NL |
|----------------------------|--------------------------------|----------------------------------|-------------------------------|
| 01 = Reflector | 01 = Reflektor | 01 = Réflecteur | 01 = Reflector |
| 02 = End plate | 02 = Endplatte | 02 = Etrier final | 02 = Eindkap |
| 03 = Flue spigot | 03 = Abgasstützen | 03 = Evacuation gaz combustion | 03 = Rookgasafvoer |
| 04 = Fluegas ventilator | 04 = Abgasventilator | 04 = Ventilateur de gaz de fumée | 04 = Rookgasventilator |
| 05 = Air intake spigot | 05 = Verbrennungsluftansaugung | 05 = Aspiration air comburant | 05 = Verbrandingsluchttoevoer |
| 06 = Gas connection | 06 = Gas-Anschluß | 06 = Raccordement au gaz | 06 = Gasaansluiting |
| 07 = Electrical connection | 07 = Elektro-Anschluß | 07 = Raccordement au électrique | 07 = Elektrische aansluiting |
| 08 = Radiant tubes | 08 = Strahlrohr | 08 = Tube rayonnant | 08 = Stralingsbuizen |
| 09 = Bracket | 09 = Konsole | 09 = Console | 09 = Ophangbeugel |
| 10 = Burner | 10 = Brenner | 10 = Brûleur | 10 = Brander |



INFRA

T: Typ/Type

| T | a | b | c | ød | e | f | g | h | j | k |
|----|------|-----|-----|-----|------|---|-----|-----|-----|-----|
| 13 | 3434 | 477 | 260 | 80 | 2560 | – | 148 | 482 | 286 | 191 |
| 22 | 6354 | 477 | 260 | 80 | 5435 | – | 148 | 482 | 286 | 191 |
| 38 | 6414 | 640 | 260 | 100 | 5440 | – | 215 | 659 | 363 | 230 |



INFRA-MONO

T: Typ/Type

| T | a | b | c | ød | e | f | g | h | j | k |
|----|-------|-----|-----|-----|-------|-------|-----|-----|---|----|
| 22 | 12110 | 279 | 260 | 80 | 11270 | 11675 | 161 | 290 | – | 77 |
| 38 | 14970 | 279 | 260 | 100 | 14155 | 14535 | 161 | 290 | – | 77 |

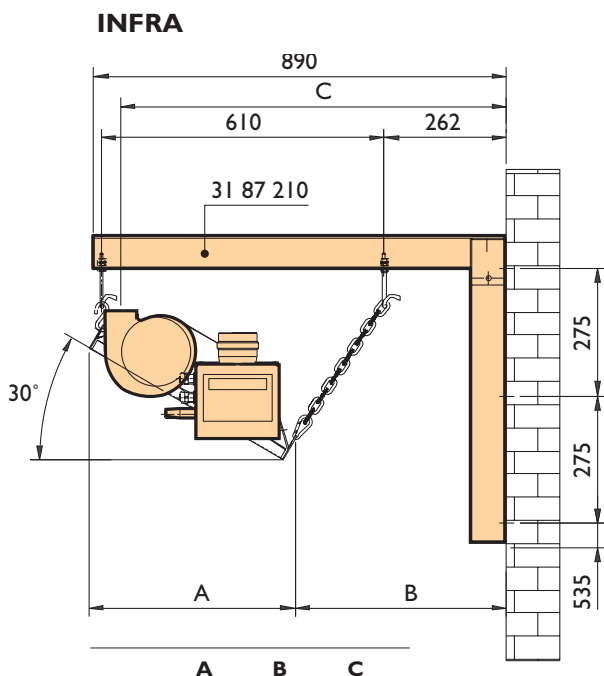
Technical data.
Technischen Daten.
Données techniques.
Technische informatie.

| | T | A | B | C | D | E | F | G ₁ | G ₂ | H | J | K | L | M | N | P |
|--|----|------------|------------|-------------------|-------------------|------|------|----------------|----------------|----|-----|-----|------|------|------|------|
| | | kW | kW | m ³ /h | m ³ /h | kg/h | kg/h | kg | kg | W | m | m | mbar | mbar | mbar | mbar |
| | 13 | 10,8 | 12,0 | 1,41 | 1,27 | 0,95 | 0,99 | 41 | - | 70 | 4,8 | 4,3 | 16,0 | 10,6 | 37,0 | 29,0 |
| | 22 | 16,5/14,7* | 18,4/16,5* | 2,14 | 1,90 | 1,29 | 1,36 | 61 | 68 | 70 | 5,0 | 4,5 | 16,0 | 10,6 | 37,0 | 29,0 |
| | 38 | 30,0 | 32,4 | 3,84 | 3,44 | 2,55 | 2,62 | 83 | 98 | 70 | 5,5 | 5,0 | 16,0 | 10,6 | 37,0 | 29,0 |

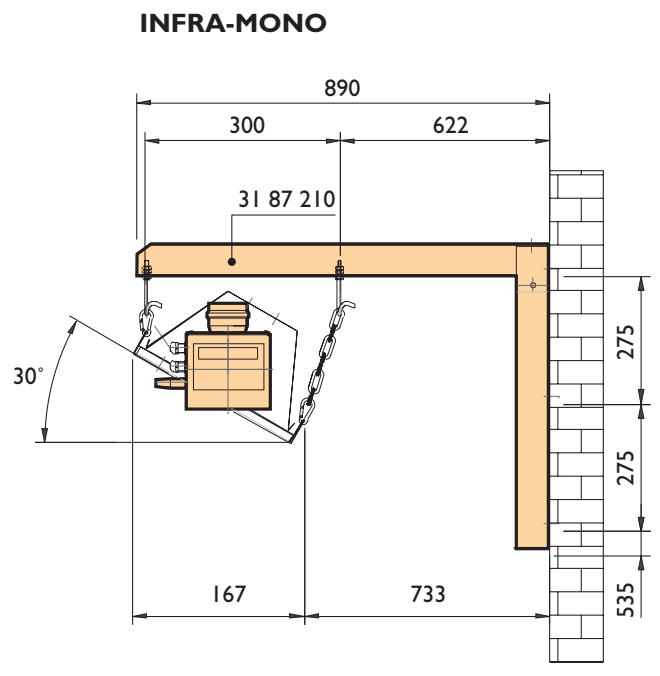
* G31/G30

| | (GB) | (DE) | (FR) | (NL) |
|------------|---|---|---|---------------------------------------|
| G25 | Natural gas Erdgas Gaz naturel Aardgas | T Type | Typ | Modèle |
| | A Nominal output | Nennwärmeleistung | Puissance nominale | Nominaal vermogen |
| | B Nominal input (net val.) | Nennwärmebel. (Hu) | Puissance inférieure | Nominale belasting (ow.) |
| | C Gasconsumption G25 (15°C) | Anschlußwert G25 (15°C) | Débit gaz G25 (15°C) | Gasverbruik G25 (15°C) |
| G20 | Natural gas Erdgas Gaz naturel Aardgas | D Gasconsumption G20 (15°C) | Anschlußwert G20 (15°C) | Débit gaz G20 (15°C) |
| | E Gasconsumption G31 (15°C) | Anschlußwert G31 (15°C) | Débit gaz G31 (15°C) | Gasverbruik G31 (15°C) |
| | F Gasconsumption G30 (15°C) | Anschlußwert G30 (15°C) | Débit gaz G30 (15°C) | Gasverbruik G30 (15°C) |
| G31 | Propane Flüßiggas Propane Propaan | G₁ Weight Infra | Gewicht Infra | Poids Infra |
| | G₂ Weight Infra-Mono | Gewicht Infra-Mono | Poids Infra-Mono | Gewicht Infra-Mono |
| | H Power consumption | Stromaufnahme | Puissance électrique | Elektrisch vermogen |
| G30 | Butane Flüßiggas Butane Butaan | J Advised mounting height horizontal | Empfohlene Aufhängehöhe waagrecht | Geadviseerde ophanghoogte horizontaal |
| | K Advised mounting height angle 30° | Empfohlene Aufhängehöhe 30° Neigung | Hauteur d'installation horizontale conseillée | Geadviseerde ophanghoogte 30° hoek |
| | L Burner pressure G25 | Brennerdruck G25 | Pressure bruleur G25 | Branderdruk G25 |
| | M Burner pressure G20 | Brennerdruck G20 | Pressure bruleur G20 | Branderdruk G20 |
| | N Burner pressure G31 | Brennerdruck G31 | Pressure bruleur G31 | Branderdruk G31 |
| | P Burner pressure G30 | Brennerdruck G30 | Pressure bruleur G30 | Branderdruk G30 |

Wall mounting brackets.
Satz Aufhängekonsolen für Wandmontage.
Consoles pour montage murale.
Ophangconsolen voor wandmontage.

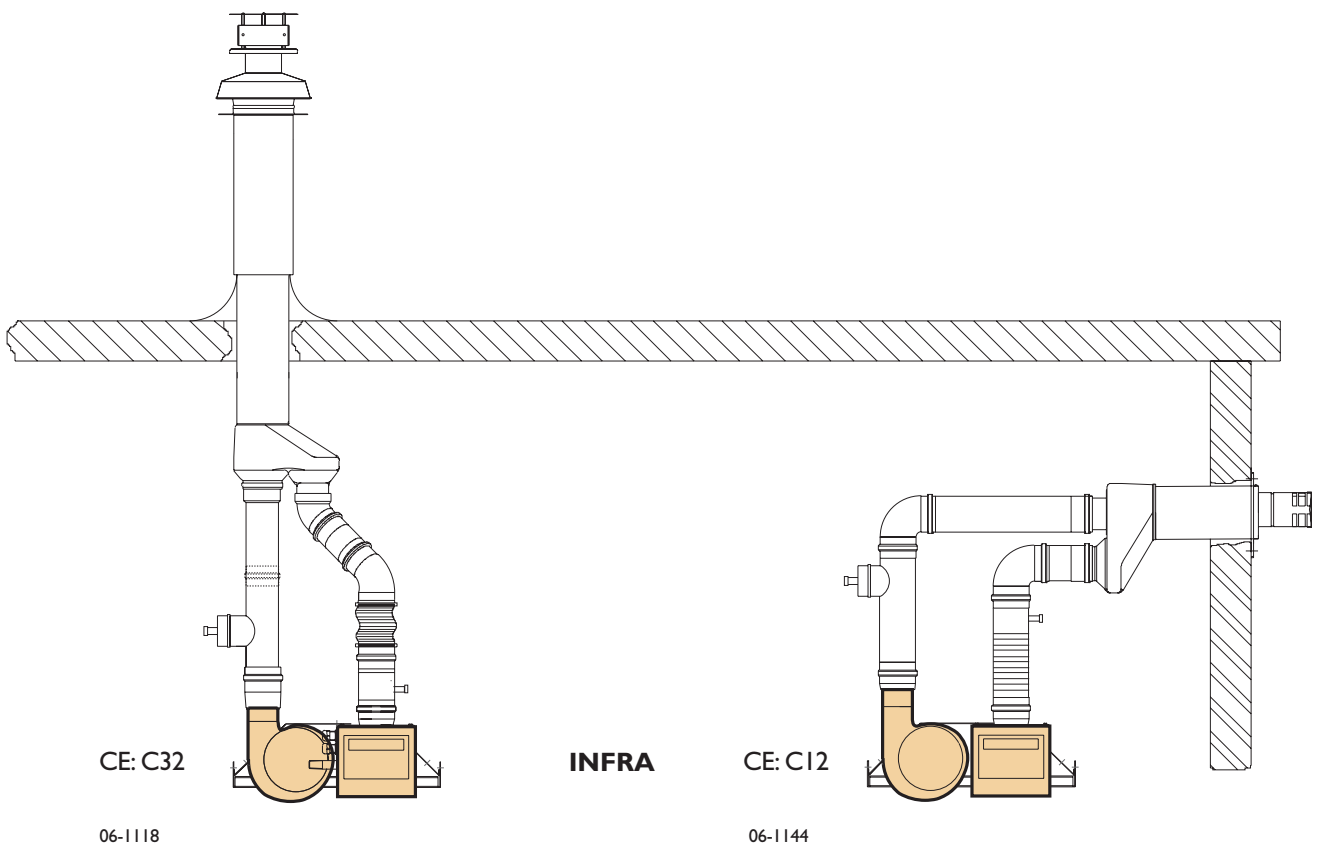
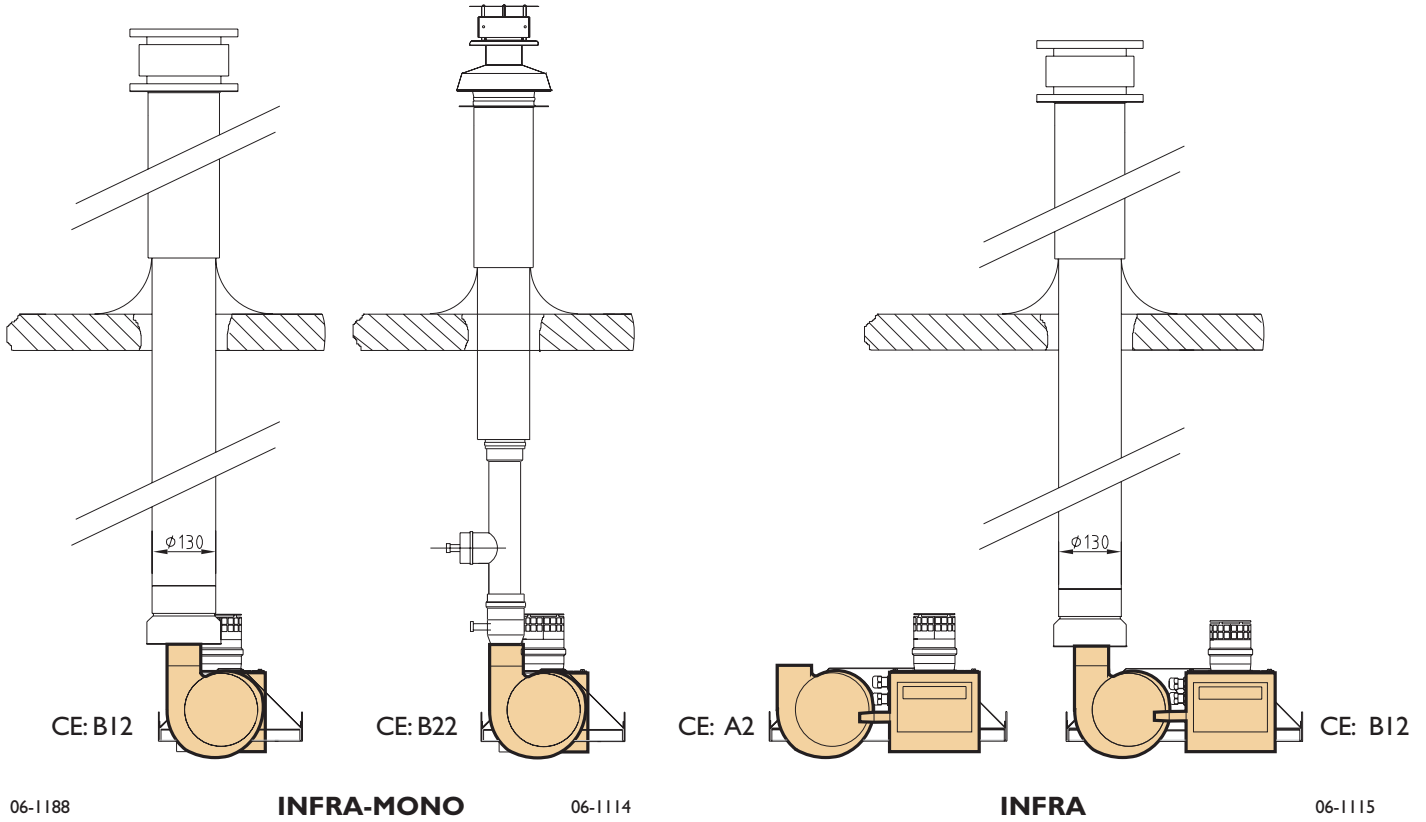


| | A | B | C |
|----|-----|-----|-----|
| 13 | 445 | 455 | 830 |
| 22 | 445 | 455 | 830 |
| 38 | 600 | 300 | 770 |



Mark INFRA

- Ⓞ GB CE approved
- Ⓞ DE CE geprüft
- Ⓞ FR CE attestation
- Ⓞ NL CE gekeurd



FÖHN

Direct gas- of oliegestookte luchtverwarmer,
met een ventilatorbrander, 30-415 kW
Oil or gas-fired high output cabinet
air heater, 30-415 kW

INFRA LINE

Modulair opgebouwde stralingsverwarmer,
direct gasgestookt, 50-100 kW
Suspended radiant heating system, 50-100 kW

TANNER

Watergevoede luchtverwarmer, 7,5-99,1 kW
Indirect hot water, steam or thermal oil
fueled air heater, 7,5-99,1 kW

ECOFAN

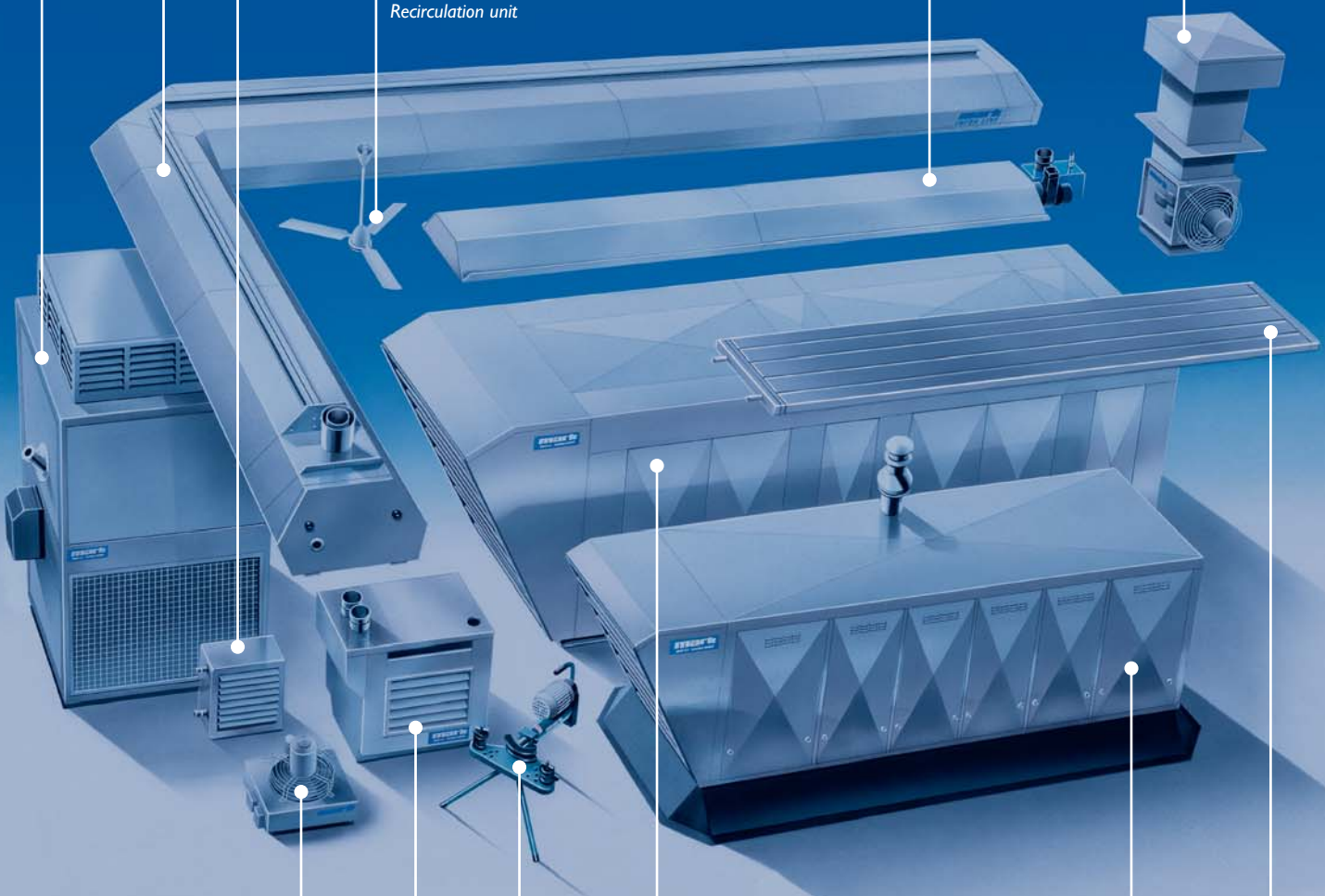
Recirculatie unit
Recirculation unit

INFRA

Direct gasgestookte stralingsverwarmer, 10,8-45,3 kW
Suspended radiant heater, 10,8-45,3 kW

ECOFAN

Recirculatie of ventilatie unit
Ventilation or de-stratification unit



ECOFAN

Recirculatie unit
De-stratification unit

GS

Direct gasgestookte hangende luchtverwarmer,
met axiaal ventilator, 20,4-95,8 kW
Direct gas-fired air heater, 20,4-95,8 kW

GC

Direct gasgestookte hangende
luchtverwarmer, 20,4-95,8 kW
Direct gas-fired air heater with
centrifugal fan, 20,4-95,8 kW

G

Direct gasgestookte luchtverwarmer
voor kanaalbouw, 20,4-95,8 kW
Direct gas-fired air heater module, 20,4-95,8 kW

ROOFTOP

Direct gasgestookte hangende luchtverwarmer,
met een atmosferische brander en centrifugaal
ventilator, 20-370 kW⁺
Direct gas-fired air heater, with atmospheric
burner and centrifugal fan, 20-370 kW⁺

CALFLO

Direct gasgestookte mengluchtverwarmer,
met een modulerende brander met
100% rendement, 71-996 kW
Direct gas-fired make up air heater,
with a fully modulating burner
with 100% efficiency, 71-996 kW

INFRA AQUA

Warm water stralingspaneel
Hot water radiant panel

PIPE BENDER

Buigmachine, 3/8"-4"
Pipe bending machine, 3/8"-4"

MARK PROGRAM

| | | |
|--------------------|---|---|
| FÖHN | gas- of oliigestookte luchtverwarmer | gas/oil fired air heater |
| MODULE | (de)centraal gas- of oliigestookt verwarmingssysteem | gas/oil fired heating module system |
| GS+/G+ MODULE | gasgestookte HR luchtverwarmer | gasfired ecological High Efficiency unit air heater |
| GS/GC/G / ROOFTOP | gasgestookte luchtverwarmer / gasgestookte dakcentrale | gasfired unit air heater / gas-fired rooftop unit |
| CALFLO | gasgestookte mengluchtverwarmer | gasfired make up air unit |
| MHR HEAT RECOVERY | warmteterugwin-unit | heat recovery unit |
| DISTR AIR | luchtverdeelsysteem | air supply system |
| INFRA / INFRA MONO | gasgestookte zwarte buisstraler | gasfired black tube radiant heater |
| INFRA LINE | gasgestookt stralingsverwarmingssysteem, max. lengte 50 m | gasfired radiant heating syst., max. length 50 m |
| INFRA HT | gasgestookte hoog temperatuur straler | gasfired plaque radiant heater |
| INFRA AQUA | warm water stralingspaneel | hot water radiant panel |
| INFRA AQUA KP | water gevoed stralingsplafond | hot/cold water radiant ceiling |
| TANNER MDA | water- of stoomgevoede luchtverwarmer | hot water- or steam unit air heater |
| TANNER FBA/ZDA | watergevoede luchtverwarmer | hot water unit air heater |
| TANNER LGD | watergevoed luchtgordijn | hot water unit air curtain |
| KLIMAT | luchtbehandelingskast | air handling unit |
| ECOFAN | recirculatie of ventilatie unit | ventilation or destratification unit |
| VENTILATION MDV | dakventilator | roof fan |
| BENDER | pijpenbuigmachine 3/8"-4" | hydraulic pipe bending machine 3/8"-4" |



MARK BV

BENEDEN VERLAAT 87-89
VEENDAM (NEDERLAND)
POSTBUS 13, 9640 AA VEENDAM
TELEFOON +31 (0)598 656600
FAX +31 (0)598 624584
info@mark.nl
www.mark.nl

MARK POLSKA Sp. z o.o

UL. KAWIA 4/16
42-200 CZĘSTOCHOWA (POLSKA)
PHONE +48 34 3683443
FAX +48 34 3683553
info@markpolska.pl
www.markpolska.pl



MARK EIRE BY

COOLEA, MACROOM
CO. CORK (IRELAND)
PHONE +353 (0)26 45334
FAX +353 (0)26 45383
sales@markeire.com
www.markeire.com

S.C. MARK ROMANIA S.R.L.

STR. LIBERTĂȚII Nr. 117
TÂRGU MUREȘ, 540190
(ROMANIA)
TEL/FAX +40 (0)265-266.332
info@markromania.ro
www.markromania.ro



MARK BELGIUM b.v.b.a.

ENERGIELAAN 12
2950 KAPELLEN
(BELGIË/BELGIQUE)
TELEFOON +32 (0)3 6669254
FAX +32 (0)3 6666578
info@markbelgium.be
www.markbelgium.be

MARK BALTIC SIA

STARTA IELA 1
RIGA, LV-1026
(LATVIA)
TEL +371 6737 8416
FAX +371 6737 8417
info@markbaltic.eu
www.markbaltic.eu



MARK DEUTSCHLAND GmbH

MAX-PLANCK-STRASSE 16
46446 EMMERICH AM RHEIN
(DEUTSCHLAND)
TELEFON +49 (0)2822 97728-0
TELEFAX +49 (0)2822 97728-10
info@mark.de
www.mark.de

